

Battery type : AGM C220 SL
Deep Cycle Batteries
Absorbent Glass Mat [AGM]

12V 220AH C100[10,8V]
Dimensions : mm 518 x 274 x 242h

" SL " range features advanced AGM technology with absorbed electrolyte. Designed for reliable storage solutions for renewable energy application.

- Deep Cycle AGM Batteries 12V
- Valve Regulated Battery
- 100% non spillable, perfect for indoor usage
- More than 500 cycles at 75% D.O.D.
- More than 1000 cycles according to IEC 61427 (PVES Applications)
- Extremely long service life
- Absolutely maintenance-free
- High reliability and safe handling
- Flat Plates
- Fully recyclable

Application Areas:

Small Solar and Wind power stations
Small size industrial solar systems
Street solar lighting
Caravans, Boats, Yachts

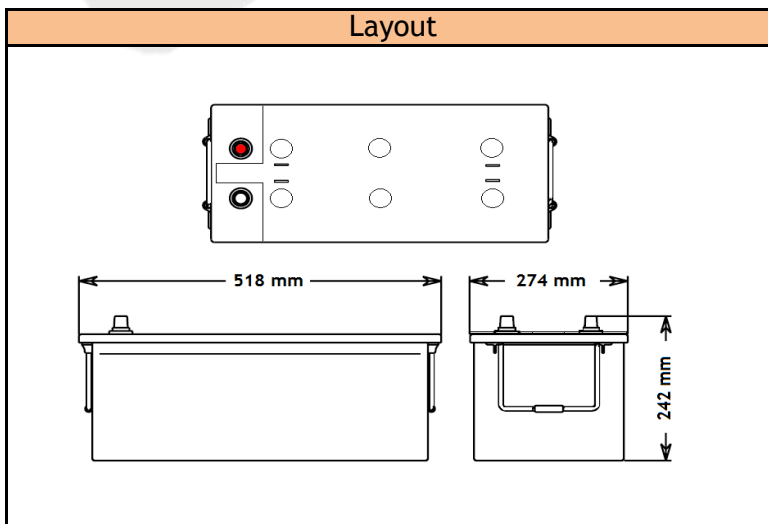
Technical Parameters 12V blocks

C1 [10,2V per block]	C5 [10,2V per block]	C10 [10,2V per block]	C100 [10,8V per block]	Reserve Capacity min	Constant power discharge for 15 min [W per block]
Ah	Ah	Ah	Ah		
135	175	190	220	430	3600

Charging Parameters

Charging type	Parameter / Limits
Charge with constant current	Current limit: 10 - 20 % from C10 capacity rate
Charge with constant voltage	Voltage limit: 14.1 - 15.0 V per block
Float Charge Voltage (cycling)	Float voltage: 13.62 V per block @ 20°
Temperature Correction Factor	0.018 V per block / °C

Layout



Terminal

