

**BATTERIE EREMETICHE AGM**

***SLA/VRLA Sealed Lead Acid Batteries***

**Energy no Problem**



**EDIZIONE 2011**

**SINERGY<sup>®</sup>**  
**BATTERIES**

# BATTERIE ERMETICHE AGM

## SLA/VRLA Sealed Lead Acid Batteries

MODELLO MODEL	CODICE CODE	VOLT VOLT	Ah Ah	DIMENSIONI DIMENSIONS	TERMINALI TERMINAL	PRINCIPALI APP. MAIN APPLICATIONS	
						STANDBY	CYCLE
	SIN6-1.3	6	1.3	97 x 24 x 52/58	F1	■	
	SIN6-3.2A	6	3.2	134 x 34 x 60/65	F1	■	
	SIN6-3.2B	6	3.2	66 x 33 x 115/120	F1	■	
	SIN6-4.5	6	4.5	70 x 47 x 100/105	F1	■	■
	SIN6-7	6	7	151 x 34 x 95/100	F1	■	■
	SIN6-12	6	12	151 x 51 x 95/100	F1	■	■
	SIN12-0.8*	12	0.8	96 x 25 x 62	Special	■	
	SIN12-1.3	12	1.3	97 x 43 x 51/56	F1	■	
	SIN12-2.6	12	2.6	178 x 35 x 61/65	F1	■	
	SIN12-2.7*	12	2.7	79 x 55,5 x 102/106	F1	■	
	SIN12-3.2*	12	3.2	134 x 67 x 61/65	F1	■	
	SIN12-5	12	5	90 x 70 x 101/107	F1	■	
	SIN12-6*	12	6	151 x 52 x 95/100	+F1 -F2	■	
	SIN12-7	12	7	151 x 65 x 95/100	F1	■	
	SIN12-7.2	12	7.2	151 x 65 x 95/100	F2	■	
	SIN12-8.5H	12	8.5	151 x 65 x 95/100	F2		■

(\*) Disponibili su richiesta / Available on request

# BATTERIE ERMETICHE AGM

## SLA/VRLA Sealed Lead Acid Batteries

MODELLO MODEL	CODICE CODE	VOLT VOLT	Ah Ah	DIMENSIONI DIMENSIONS	TERMINALI TERMINAL	PRINCIPALI APP. MAIN APPLICATIONS	
						STANDBY	CYCLE
	SIN12-10B	12	10	151 x 65 x 113/118	F1		
	SIN12-12	12	12	151 x 98 x 95/100	F1		
	SIN12-12H	12	12	151 x 98 x 95/100	F2		
	SIN12-20	12	20	181 x 76 x 167	L1		
	SIN12-24H	12	24	180 x 76 x 167	C1		
	SIN12-26	12	26	165 x 175 x 125	L2		
	SIN12-33	12	33	196 x 131 x 171/175	C1		
	SIN12-40	12	40	197 x 165 x 170	C1		
	SIN12-55	12	55	229 x 138 x 208/227	L6		
	SIN12-70A	12	70	260 x 169 x 208/227	C2		
	SIN12-70B	12	70	350 x 166 x 175	C2		
	SIN12-100	12	100	306 x 169 x 208/230	C2		
	SIN12-120	12	120	331 x 173 x 214/242	C2		
	SIN12-160	12	160	530 x 209 x 214/244	L11		
	SIN12-200B	12	200	522 x 240 x 218/244	L12		

Le caratteristiche tecniche possono essere modificate senza preavviso.

# PRINCIPALI APPLICAZIONI / MAIN APPLICATIONS

## STANDBY SERVICE

- Ups gruppi di continuità
- Sistemi d'allarme ed emergenza
- Telecomunicazioni
- Alimentazione pannelli fotovoltaici
- Apparecchiature elettroniche ed elettromedicali

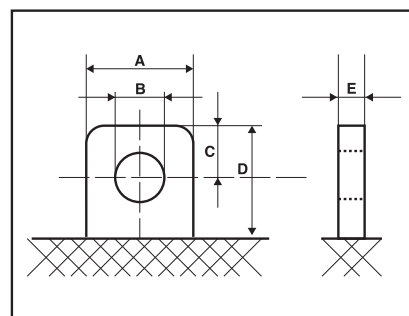
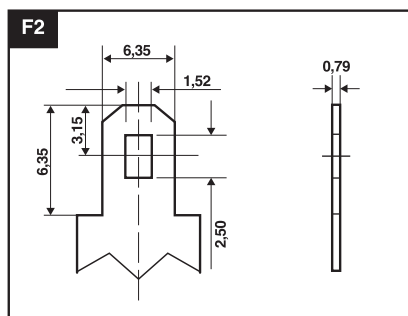
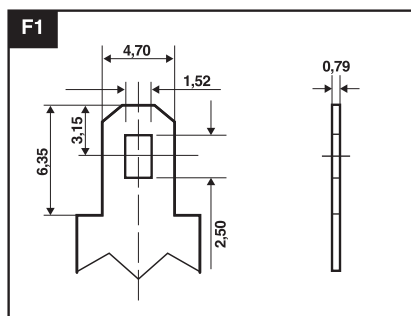
- *Ups equipment*
- *Telecommunications systems*
- *Fire and security systems*
- *Burglar and alarm systems*
- *Emergency lighting*
- *Medical equipment*
- *Solar powered systems*

## CYCLE SERVICE

- Giocattoli
- Nautica e camperistica
- Veicoli per invalidi
- Veicoli elettrici  
(scooter, golf car, lavapavimenti, ecc.)

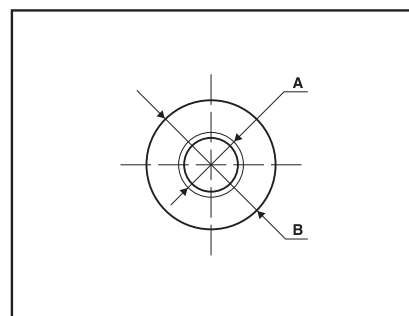
- *Toys/hobbies*
- *Lighting equipment*
- *Electric powered bicycle and wheelchairs*
- *Vending machines*

## TERMINALI TERMINAL TYPE



Type	A	B	C	D	E
L 1	12,0	∅ 5,5	4,8	12,0	2
L 2	17,0	∅ 5,5	6,5	13,5	7
L 3	15,0	∅ 6,5	7	14,0	7
L 4	18,0	∅ 6,5	6	15,0	6
L 5	17,0	∅ 6,5	8	16,0	8
L 6	19,0	∅ 6,5	7,5	19,0	7
L 7	18,0	∅ 8,5	8,5	18,0	8
L 8	22,0	∅ 8,5	11	28,0	8
L 9	25,0	∅ 8,5	12	30,0	8
L10	27,0	∅ 9,5	11	28,0	8
L11	28,0	∅10,0	11	28,0	10
L12	27,0	∅10,0	12	33,0	10

Type	A	B
C 1	∅ 12	M6
C 2	∅ 14	M8
C 3	∅ 16	M8
C 4	∅ 20	M8



# SINERGY<sup>®</sup>

BATTERIES